

# Accu-Shield™ SG Clear Barrier Panels

Provide sneeze guard style protection throughout work areas in offices, warehouses, and commercial settings with unobstructed views while safeguarding workers, customers, and visitors against the spread of germs and viruses. Easily create a protective barrier among individuals with Accu-Shield™ SG Clear Barrier Panels.

Shield sets up quickly, can be kept in place, or move from one work area to another or stores flat when not in use. Notch handle cutout at the top\* for easy-to-carry mobility.

A versatile protective barrier for any industry, choose versions that suspend, set on a countertop, stands freely, or use as a portable barrier. This shield is ideal for areas where social distancing space is unavailable.

## Features

- Thick, clear shield is specially formulated high-impact and shatter-resistant thermoplastic
- Maintains optical clarity, even after repeated wipe-and wash-downs
- Chemical resistant plastic cleans easily with any disinfectant cleaning product

## Benefits

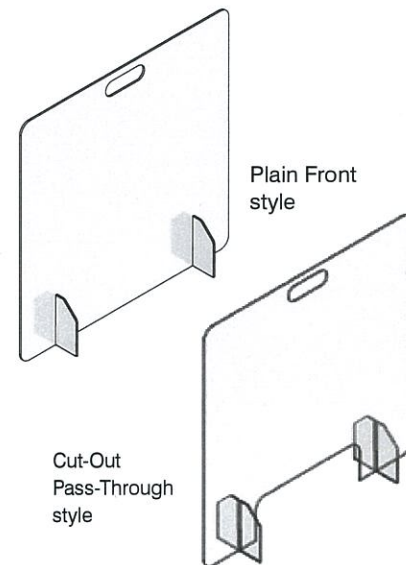
- Shield creates a barrier to protect employees and customers for a safe and healthy environment
- Helps prevent the spread of germs and viruses, and avoid unnecessary downtime due to illness
- Lightweight and versatile for any location set-up, take-down, portability, and flat storage
- Cleanable surface with disinfectants without residue or wear
- Customizable in design and size

\*Unavailable for Countertop-Desktop Panels with Side Wings or Hanging Panels

## Countertop-Desktop Panels

- Set on top of table, desk, or counter
- Legs easily slide into the precut slits at the base for stability
- Notch cut out at the top for portability
- Includes 1 panel and two 5"H x 5"W legs
- Available in plain front or with 4" x 12" cutout pass-through

Size	Plain Front No.		Cut-Out Pass-Through No.	
24"H x 24"W	PRL100	\$115.25	PRL201	\$115.25
24"H x 36"W	PRL101	\$145.05	PRL202	\$145.05
Other custom size	PRL155	Call for quote	PRL255	Call for quote

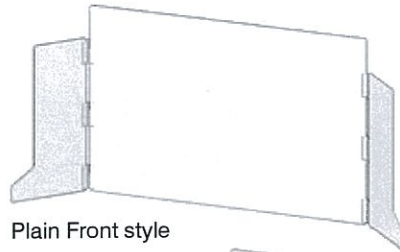


**Lead Times:** Qty 1-10 (Three Days), Qty 11-25 (Five Days), 25+ contact for quote

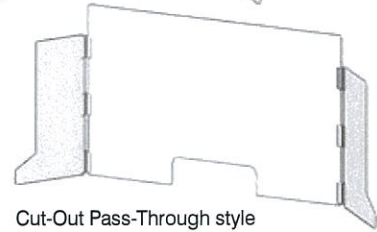
**Product Availability Date:** June 10, 2020 | **Contact Your Sales Representative**

**Countertop-Desktop Panels with Side Wings**

- Set on top of table, desk, or counter with added protection from side wing panel shields
- 19.75"H x 10"W side panels are adjustable angle for stability
- Includes the main panel with side wing panels attached by plastic hinges
- Available in plain front or with 4" x 12" cutout pass-through



Plain Front style

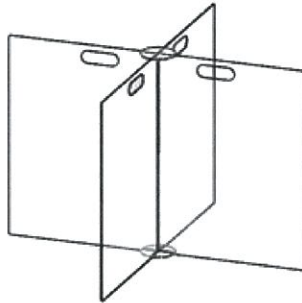


Cut-Out Pass-Through style

Panel Size	Overall Size	Plain Front No.		Cut-Out Pass-Through No.	
24"H x 36"W	24"H x 56"W	PRL300	\$133.20	PRL700	\$133.20
24"H x 48"W	24"H x 68"W	PRL301	\$193.84	PRL701	\$193.84
Other custom size	other	PRL355	Call for quote	PRL755	Call for quote

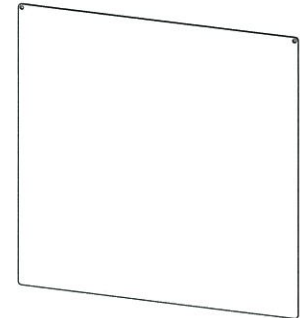
**4-Way Table Dividers**

- Create four-quadrant protective spaces on a round or square table
- Each panel with a pre-cut slit in the center that easily slides into one another
- Divider panels measure 24" in height.
- Creates an X-shaped partition uniquely formed for standard size tables
- Notch cut out at the top for easy carry
- Includes (2) Panel Intersection Corner Caps for added stability.



**Hanging Panels**

- Hang Panel is ideal in areas where tabletop space unavailable
- Pre-drilled edge holes for either bolt into a countertop or hung from the ceiling
- Mounting Hardware includes 8-ft. pieces of Jack Chain and Brass S hooks.



Fits Table Size	No.	
36"	PRL400	\$148.62
48"	PRL401	\$196.95
Other custom size	PRL455	Call for quote

Size	No.	
30"H x 30"W	PRL600	\$95.15
30"H x 36"W	PRL601	\$116.17
Other custom size	PRL655	Call for quote

**PERSONALIZE IT!**

Customize your Accu-Shield™ SG Clear Barrier Panel with your size, configuration, and shape. Consider adding a symbol or logo onto the panel. Contact us and if the custom shape is similar to one of those shown, refer to the respective part number in the table.

If it is another shape, refer to part number PRL555

- Provide size and style
- Write or sketch out your shape or layout
- Specify quantity

**Lead Times:** Qty 1-10 (Three Days), Qty 11-25 (Five Days), 25+ contact for quote

**Product Availability Date:** June 10, 2020 | **Contact Your Sales Representative**